

Translation of the original operating instructions

XL Sniffer Adapter Set

Catalog No.
560-319

From software version
Operating unit 2.72 / MSB 2.72

jinxa54en1-04-(1901)



INFICON GmbH

Bonner Strasse 498

50968 Cologne, Germany

Table of Contents

1	About these instructions	5
1.1	Warnings.....	5
1.2	Other associated documents	5
1.3	Target groups	6
2	Safety	7
2.1	Owner requirements	7
2.2	Duties of the operator	7
2.3	Intended use	8
2.4	Dangers	8
3	Shipment, Transport, Storage	9
4	Description.....	10
4.1	Function.....	10
4.2	XL sniffer adapter set.....	10
4.3	XL Sniffer Adapter	12
4.4	FINE throttle flange.....	13
4.5	GROSS throttle flange	14
4.6	Backing pump	15
4.7	Sniffer line SL3000XL.....	16
4.7.1	Operating elements on the handle.....	16
4.8	Technical data	17
4.9	Factory settings	18
5	Installation	20
5.1	XL Sniffer Adapter assembling	21
5.2	Mounting the backing pump.....	21
5.3	Installing the FINE throttle flange on the connection block.....	21
5.4	Installing the GROSS throttle flange on the connection block	22
5.5	Installation of the pressure sensor PSG500	22
5.6	Creating hose connections	22
5.7	Creating data connections	23
5.8	Connecting the SL3000XL sniffer line	24
5.9	Start-up	25
5.9.1	Switching on the LDS3000.....	25

5.9.2	Checking and updating the software version of the MSB box	25
5.9.3	Updating the software of control unit CU1000	25
5.9.4	Maintenance interval of the backing pump activation	26
5.9.5	Maintenance message activation.....	26
6	Operation.....	27
6.1	Menu.....	27
6.2	Measuring.....	27
7	Maintenance	29
7.1	Indication of the next maintenance interval and	29
7.2	Maintenance warning.....	29
7.3	Replacing the filter cartridge on the sniffer probe	29
7.4	Replacing the filter on the FINE throttle flange	30
7.5	Calibrating.....	31
8	Decommissioning the measuring instrument.....	32
8.1	Disposing of the device.....	32
8.2	Sending in the device	32
9	Appendix.....	34
9.1	CE Declaration of Conformity	34
9.2	RoHS	35

1 About these instructions

This document applies to the software version stated on the title page.

Product names may occur in the document, which are added for identification purposes only and belong to the respective owner of the rights.

1.1 Warnings



DANGER

Imminent hazard resulting in death or serious injuries



WARNING

Hazardous situation resulting in potential death or serious injuries



CAUTION

Hazardous situation resulting in minor injuries

NOTICE

Hazardous situation resulting in damage to property or the environment

1.2 Other associated documents

Name	Document number
Operating Instructions LDS3000 MS module	jiqa54
Operating Manual Control Unit CU1000	jina54
Operating instructions I/O module	jiqc10
Interface protocols	jira54

1.3 Target groups

These operating instructions are intended for the owner and for technically qualified personnel with experience in leak detection technology and integration of leak detection devices in leak detection systems. In addition, the installation and use of the device require knowledge of electronic interfaces.

2 Safety

2.1 Owner requirements

The following notes are for companies or any person who is responsible for the safety and effective use of the product by the user, employee or third party.

Safety conscious operation

- Operate the device only if it is in perfect technical condition and has no damage.
- Only operate the device in accordance with this instruction manual, in a safety and risk conscious manner.
- Adhere to the following regulations and observe their compliance:
 - Intended use
 - General applicable safety and accident prevention regulations
 - International, national and local standards and guidelines
 - Additional device-related provisions and regulations
- Only use original parts or parts approved by the manufacturer.
- Keep this instruction manual available on site.

Personnel qualifications

- Only instructed personnel should be permitted to work with and on the device. The instructed personnel must have received training on the device.
- Make sure that authorized personnel have read and understood the operating instructions and all other applicable documents.

2.2 Duties of the operator

- Read, observe, and follow the information in this manual and in the work instructions provided by the owner. This concerns in particular the safety instructions and warnings.
- Always observe the complete operating instructions for all work.
- If you have any questions about operation or maintenance that are not answered in this manual, please contact Customer Service.

2.3 Intended use

The XL Sniffer Adapter supplements the mass spectrometer module LDS3000. With this addition, mass spectrometer module LDS3000 can be used as a sniffer leak detector in low flow or high flow. This combination makes it possible to capture leaks at a larger distance from the expected leak if the detection limit is deteriorated. The SL3000XL sniffer line must be used in order to be able to use low flow as well as high flow.

The LDS3000 mass spectrometer module can be used as a tracer gas for helium and forming gas (hydrogen) together with the XL Sniffer Adapter.

- Install, operate and service the device only in compliance with these instructions.
- Comply with limits of application, see Technical data [▶ 17].

2.4 Dangers

The measuring instrument was built according to the state-of-the-art and the recognized safety regulations. Nevertheless, improper use may result in risk to life and limb on the part of the user or third parties, or damage to the measuring instrument or other property may occur.

Hazards due to liquids and chemicals

Liquids and chemical substances can damage the instrument.

- Comply with application limits, see Technical Data.
- Only use the device away from areas with a risk of explosions.
- Do not expose the device to a naked flame and avoid spark formation, for example, by smoking.
- A hydrogen concentration that is too high can cause explosions. The hydrogen concentration may be 5% at most.

Dangers from electric power

The device is operated with electrical voltages of up to 24 V. Inside the device there are voltages that are considerably higher. There is a danger to life from the contact of conductive parts inside the device.

- Disconnect the device from the power supply prior to any installation and maintenance work. Make sure that the electric power supply cannot be reconnected without authorization.
- Before starting the leak test, disconnect electrically operated test objects from the power supply.

The device contains electric components that can be damaged from high electric voltage.

- Make sure before connecting to the power supply that the supply voltage is 24 V +/- 5 %.

3 Shipment, Transport, Storage

Scope of delivery	Item	Quantity
	XL Sniffer Adapter	1
	GROSS throttle flange	1
	FINE throttle flange	1
	Replacement filter cartridge	3
	Cable kit, comprising three cables	1
	Operating instructions, printed	1
	USB stick with instructions, software	1

Table 1: Scope of delivery

Check the scope of delivery of the product for completeness after receipt.

The cable kit contains

- a replacement cable (200005089) that replaces the previous connection between MSB box, turbo molecular pump and the fan. The replacement cable has an additional RJ45 connection for the power supply to the XL Sniffer Adapter.
- SUB-D cable (200005092) for the connection between the service interface on the MSB box and the XL Sniffer Adapter.
- M8 cable (200005091) for the connection between the sniffer interface on the MSB box and the XL Sniffer Adapter.

The USB stick contains

- 3D graphics of the XL Sniffer Adapter and the overall configuration
- Menu tree of the control unit CU1000
- these operating instructions in a PDF file
- the current software for the LDS3000

Transport

NOTICE

Damage caused by transport

Transport in unsuitable packaging material can damage the device.

- ▶ Keep the original packaging.
- ▶ Only transport the device in its original packaging.

Storage

Always store the device in compliance with the technical data, see Technical data.

4 Description

4.1 Function

The XL Sniffer Adapter set amends the LDS3000. With the XL Sniffer Adapter set, even small leaks can be detected from a great distance. The best detection limit is achieved in low flow. Switching to high flow achieves a better distance sensitivity while the detection limit is made worse.

The flow-rate in low flow is approx. 300 sccm, in high flow approx. 3000 sccm.

Helium or forming gas (hydrogen) are used as sample gases.

4.2 XL sniffer adapter set

The following graphic shows the flexible hose and the electrical connections that are required for the connection of the XL Sniffer Adapter.

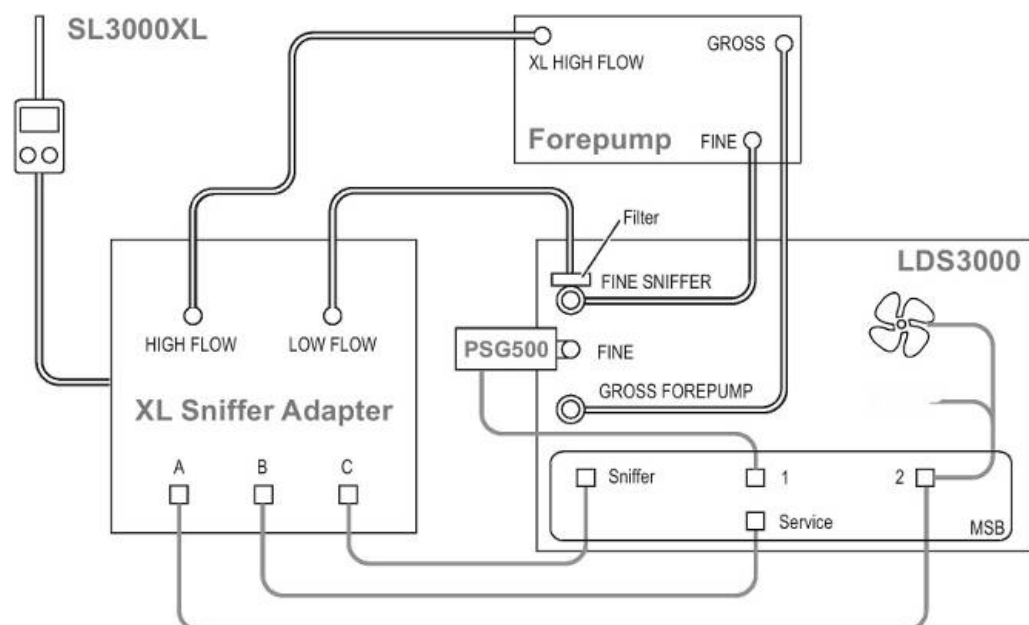




Fig. 1: Connection diagram of XL Sniffer Adapter set, LDS3000, backing pump, PSG500

	Hose connection
	Flange
	Electrical connections

XL Sniffer Adapter

The XL Sniffer Adapter is the interface between the electrical and the vacuum unit, i.e. between LDS3000 and SL3000XL. It is ready for front panel installation.

SL3000XL

The sniffer line belonging to the XL Sniffer Adapter is the SL3000XL.

FINE throttle flange

The FINE throttle flange is on the "FINE SNIFFER" connection and is the connection to the LOW FLOW connection of the XL Sniffer Adapter. It also includes the connection to the FINE input of the backing pump.

GROSS throttle flange

The GROSS throttle flange is on the "GROSS FOREPUMP" connection and connects the backing pump with the LDS3000.

Pressure sensor PSG500

The pressure sensor PSG500 is on the second FINE connection.

TMP

"TMP" is the abbreviation for turbo molecular pump.

MSB

"MSB" is the term for the connection block.

4.3 XL Sniffer Adapter

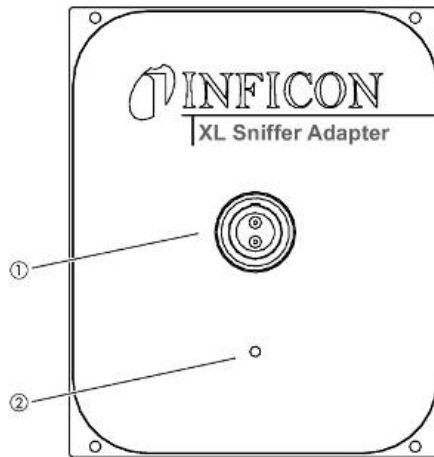


Fig. 2: XL Sniffer Adapter - Front view

1	Connection SL3000XL, connection for the sniffer line on the front	2	The Status LED indicates the status of the XL Sniffer Adapter. A permanently lit status LED shows that the XL Sniffer Adapter is supplied with voltage.
---	---	---	---

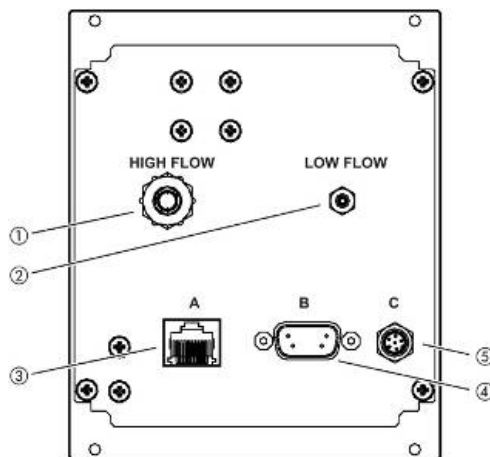


Fig. 3: XL Sniffer Adapter - Rear view

1	<i>Hose connection "HIGH FLOW", hose connection to the "HIGH FLOW" connection of the backing pump the backing pump</i>	4	<i>Connection B, RS232. This connection transmits the signals of the sniffer line to the LDS3000. The cable is connected with the "Service" connection of the MSB box. The line is part of the exchange harness.</i>
---	--	---	--

2	<p>Hose connection "LOW FLOW", hose connection to the filter on the FINE throttle flange</p> <p>Flange</p>	5	<p>Connection C, M8. The cable is connected with the "Sniffer" connection of the MSB box.</p> <p>It transmits the switching signals between low flow and high flow of the sniffer line</p> <p>or the XL sniffer adapter to the MSB box. The cable is part of the replacement cable kit.</p>
3	<p>Connection A, RJ45. The XL Sniffer Adapter is supplied with power via this connection and the internal pressure sensor with the MSB-Box connected. The line is part</p> <p>the replacement harness.</p>		

4.4 FINE throttle flange

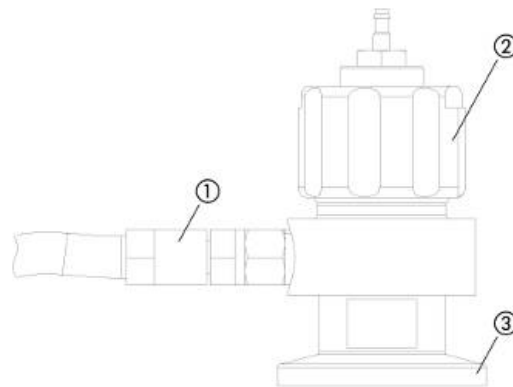


Fig. 4: FINE throttle flange for the connection to the LDS3000

1	<p>Hose connection to the FINE connection of the backing pump</p>	3	<p>Flange connection to the FINE connection of the connection block on the LDS3000</p>
2	<p>Union nut for filter with hose connection to the low flow connection on the XL Sniffer Adapter</p>		

4.5 GROSS throttle flange

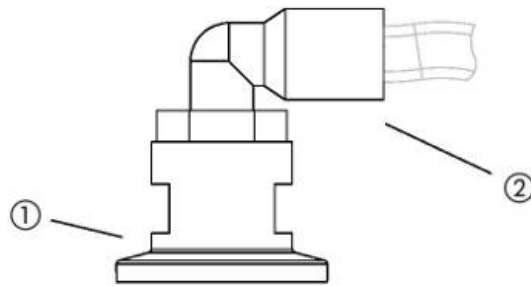


Fig. 5: GROSS throttle flange for the connection to the LDS3000

1 Flange connection to the GROSS connection of the connection block on the LDS3000

2 Hose connection to the GROSS connection of the backing pump

4.6 Backing pump

The backing pump can be ordered from Inficon by catalog no. 560-330

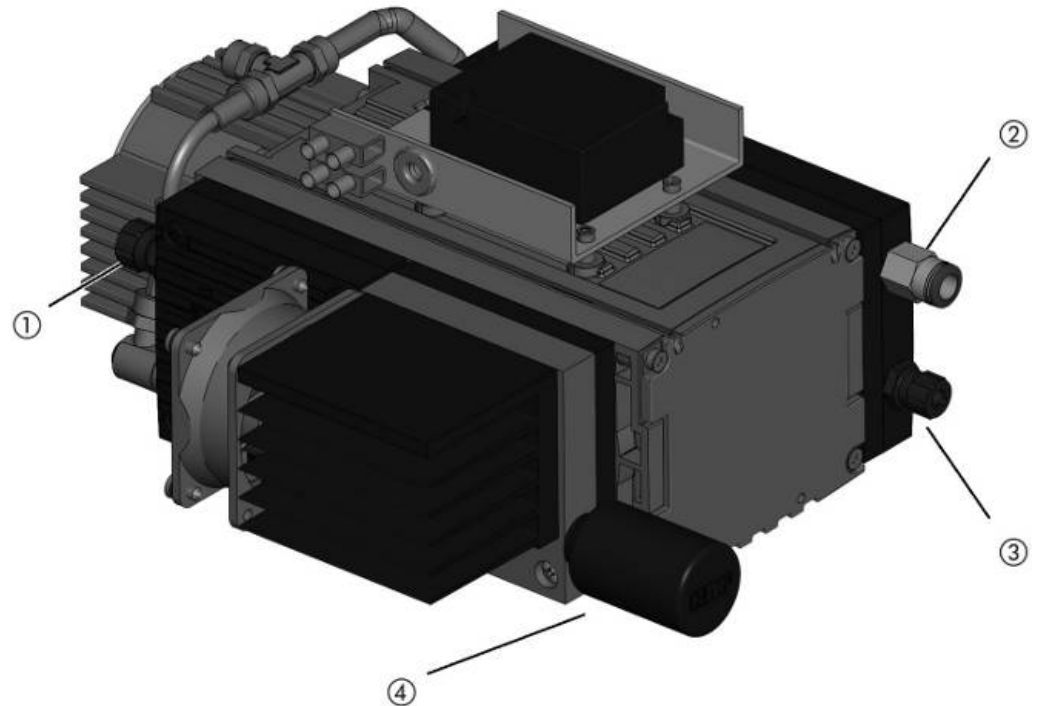


Fig. 6: Backing pump

1	<i>Hose connection high flow. Hose connection to the "HIGH FLOW" connection of the XL Sniffer Adapter</i>	4	<i>Pump outlet. The pump outlet has sound absorber.</i>
2	<i>Hose connection GROSS. Hose connection to GROSS throttle flange on the LDS3000</i>		
3	<i>Hose connection Fine. Hose connection to FINE throttle flange on the LDS3000</i>		

4.7 Sniffer line SL3000XL

4.7.1 Operating elements on the handle

The display of the handle displays part of the information of the main display.



Fig. 7: Sniffer line SL3000XL

The leak rate is shown as a bar graph and displayed numerically. The unit of measurement is the same as in the main display.

The display also shows the gas type and the tracer gas concentration. If the XL Sniffer Adapter is operated in the high flow operation mode, then the gas type display has a dark background.

The display shows the messages when warnings or error messages are generated. The message can be acknowledged with the right button. The right button can otherwise be used to switch between low flow and high flow.

The left button can be used for a ZERO adjustment: The background display is set to ZERO by pressing the key.

The handle of the probe has LEDs that illuminate the area around the line.



WARNING

Risk of eye damage

LEDs generate a bundled light that can damage your eyes.

- ▶ Do not look into the LEDs from a short distance or for longer periods of time.

The lighting behavior of the LEDs can also signal that a trigger has been exceeded, see "Settings for the XL Sniffer Adapter" in the operating instructions for the LDS3000.

4.8 Technical data

Mechanical data

Dimensions XL Sniffer Adapter (W x H x D)	106.2 mm x 128.4 mm x 49.2 mm
Weight XL Sniffer Adapter	500 g

Physical data

Gas flow ¹	
• High flow	3000 sccm
• Low flow	300 sccm
Minimum detectable leak rate (MDLR)	
• Helium	
• High flow	2×10^{-6} mbar l/s
• Low flow	2×10^{-7} mbar l/s
• Forming gas (95/5)	
• High flow	2×10^{-6} mbar l/s
• Low flow	2×10^{-7} mbar l/s
Response time	
• High flow	< 1 s
• Low flow	< 1 s

¹ Measured at 1 atm (1013 mbar) at sea level. The gas pressure changes with geographical height and barometric pressure.

Electrical data of the backing pump

Supply voltage	24 V DC \pm 10 %
Power input	4.5 A

Ambient conditions

Permissible ambient temperature (during operation)	10 °C ... 45 °C
Permissible storage temperature	-20 °C ... 60 °C
Max. relative humidity up to 31 °C	80%
Max. relative humidity from 31 °C to 40 °C	linearly decreasing from 80% to 50%
Max. relative humidity above 40 °C	50%

Ingress protection	IP20
Pollution degree	II
Max. altitude above sea level	2000 m

4.9 Factory settings

The following table shows the factory settings of the control unit in the "XL Sniffer Adapter" operation mode.

Parameter	Factory setting
Display off after	1h (= 1 hour)
Display brightness	100%
Measurement view mode	Diagram
Audio alarm mode	Proportional
Autoscale	On
Data recording	Off
Decades	3
Pressure unit of the display	mbar
Favorite 1	Volume
Favorite 2	Measurement view mode
Favorite 3	CAL
Error info Operator	No. and text
Error info Supervisor	No., text and info
Error info Viewer	Number only
Used trigger	1
Volume	8
Linear or logarithmic	Log.
Time axis scale	30 s
Record interval	500 ms
Memory location	USB
Show warnings	On
Show value	On

The following table shows the additional and changed factory settings of the mass spectrometer module in "XL Sniffer adapter".

Parameter	Factory setting
Filter	I•Filter
Flow control	low (LOW FLOW)
Flow (button to control)	on

Gas concentration H2	5%
Capillary surveillance	
Pressure capillary blocked (low flow)	0.2 mbar
Pressure capillary broken (low flow)	0.6 mbar
Pressure capillary blocked XL (high flow)	150 mbar
Pressure capillary broken XL (high flow)	400 mbar
Language	English
Display range	
Displ. upper limit exponent	1 decade
Displ. lower limit exponent	1 decade
Leak rate unit	mbar l/s
Compatibility mode	XL Sniffer Adapter
Mass	4 (helium)
Turbo molecular pump frequency	1000 Hz

5 Installation

The XL Sniffer Adapter set is installed in the immediate vicinity of the LDS3000 (40 cm). A suitable holding fixture must be provided by the operator.

Sufficient ventilation must be ensured for a closed housing.

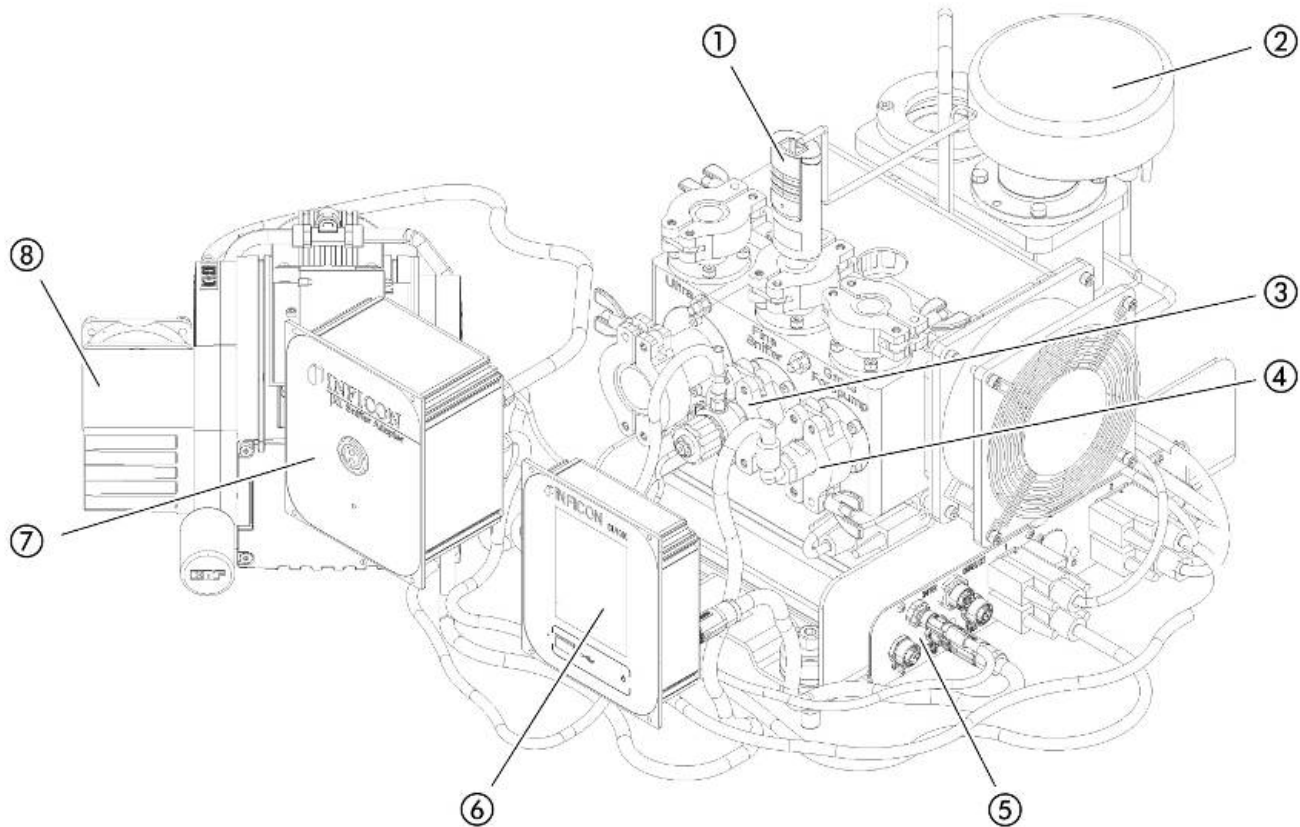


Fig. 8: Assembly of the components

1	<i>Pressure sensor PSG500</i>	5	<i>Connections on the MSB box</i>
2	<i>Turbo molecular pump</i>	6	<i>Control panel CU1000</i>
3	<i>FINE throttle flange</i>	7	<i>XL Sniffer Adapter</i>
4	<i>GROSS throttle flange</i>	8	<i>Backing pump</i>

5.1 XL Sniffer Adapter assembling

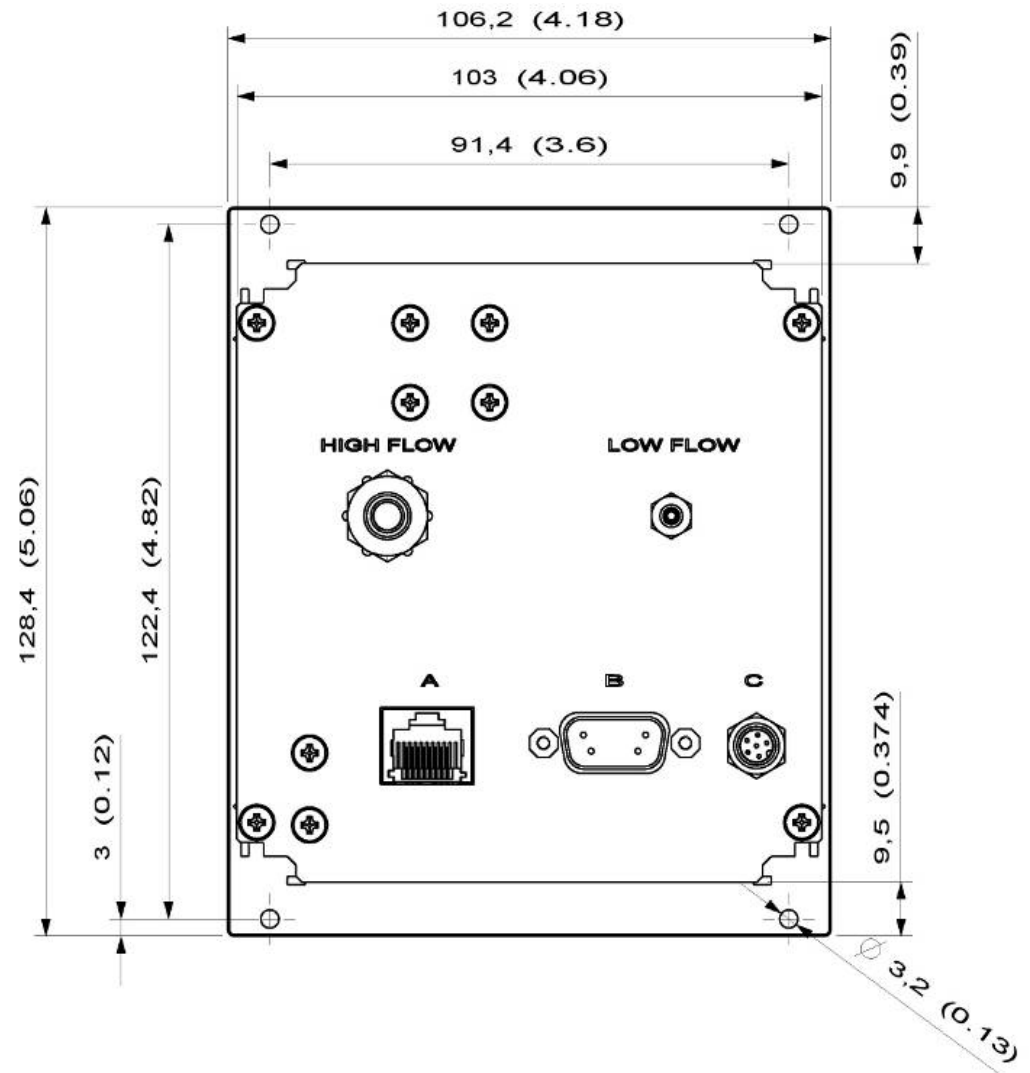


Fig. 9: Dimensions of the adapter front panel in mm (inches in brackets)

1	Position the XL sniffer adapter inside the holding fixture.	2	Fix the XL sniffer adapter in place using suitable mounting screws.
---	---	---	---

5.2 Mounting the backing pump

Please refer to the backing pump operating and installation instructions for information on the assembly of the KNF backing pump.

5.3 Installing the FINE throttle flange on the connection block

- 1 Remove the cover from one of the FINE ports of the LDS3000 connection block.
- 2 Remove the blank flange from the FINE port.

- 3 Remove the protective cover on the FINE throttle flange.
- 4 Attach the FINE throttle flange with the centering ring on the FINE port and attach with the clamping ring.

5.4 Installing the GROSS throttle flange on the connection block

- 1 Remove the blank flange from one of the GROSS ports of the connection block.
- 2 Remove the protective cover from the GROSS throttle flange.
- 3 Attach the GROSS throttle flange with the centering ring on the GROSS port and attach with the clamping ring.

5.5 Installation of the pressure sensor PSG500

The pressure sensor is included in the delivery scope of the LDS3000.

- 1 Remove the blank flange on the second FINE connection of the connection block.
- 2 Attach the pressure sensor PSG500 on the FINE connection with the centering ring.
- 3 If the second GROSS connection of the connection block is open, close the connection with a blank flange.

5.6 Creating hose connections

See also XL sniffer adapter set [▶ 10].

- 1 Connect the "HIGH FLOW" output of the XL Sniffer Adapter with "XL HIGH FLOW" input of the backing pump.
- 2 Connect the "LOW FLOW" output of the XL Sniffer Adapter with the filter of the Fine throttle flange: Screw the hose installed on the XL Sniffer Adapter onto the filter on the Fine throttle flange with a luer lock connection.
- 3 Connect the Fine throttle flange on the LDS3000 with the "Fine" connection of the backing pump. For details on this work step, refer to the operating instructions provided by the manufacturer of the backing pump.
- 4 Connect the GROSS throttle flange on the LDS3000 with the "GROSS" connection of the backing pump. For details on this work step, refer to the operating instructions provided by the manufacturer of the backing pump.

5.7 Creating data connections

See also XL sniffer adapter set [▶ 10].

Replace the data cable between the MSB box and the turbo molecular pump:

- 1 Open the cable tie above the MSB box.

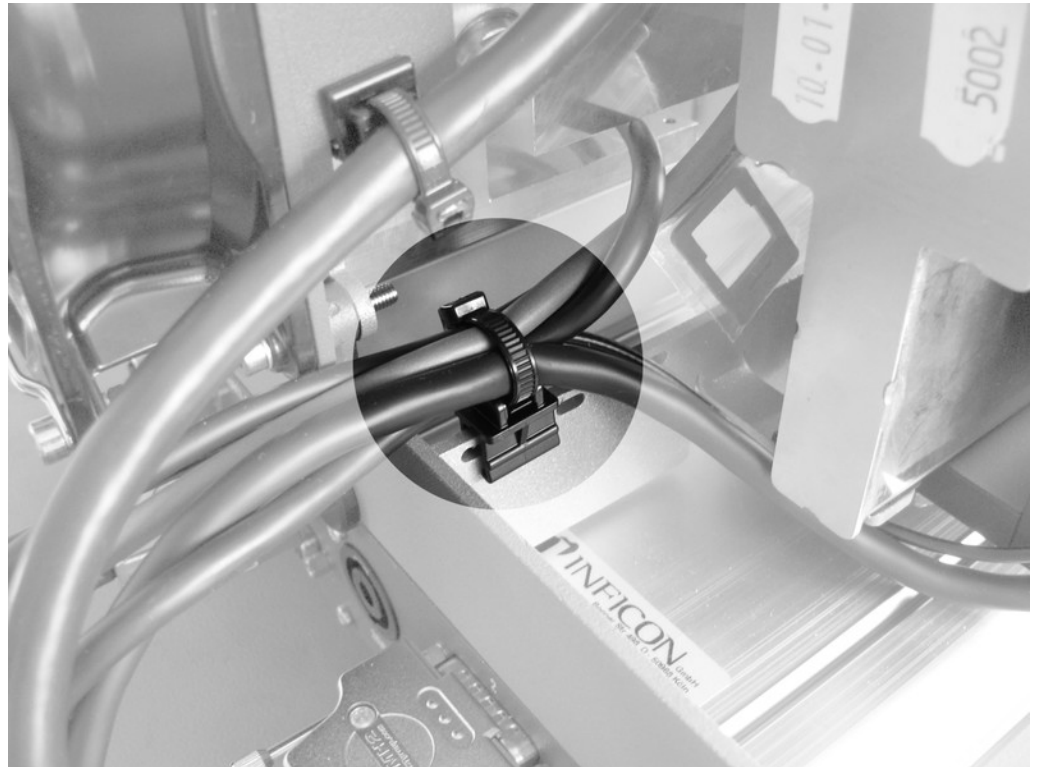


Fig. 10: Cable tie to open

- 2 Release and pull off the SUB-D plugs on the converter of the turbo molecular pump and on the MSB box (connection "2").
- 3 Release and pull off the plug on the fan.



Fig. 11: The three plugs of the cable to replace

- 4 Connect the replacement cable (200005089) with the converter of the turbo molecular pump, the MSB box (connection "2") and the fan.
 - 5 Push the RJ45 plug labeled "XL-Adapter" into connection "A" of the XL Sniffer Adapter.
- Connecting the service interface:
Creating a connection between the "Service" connection on the MSB box and connection "B" on the XL Sniffer Adapter with the supplied SUB-D cable (200005092).
 - Connecting the sniffer interface with the MSB box:
Creating a connection between the "Sniffer" connection on the MSB box and connection "C" on the XL Sniffer Adapter with the supplied M8 cable (200005091).
 - Connecting pressure sensor PSG500:
Connect the data cable of the pressure sensor with connection "1" of the MSB box.

5.8 Connecting the SL3000XL sniffer line

- 1 Connect the end of the SL3000XL sniffer line with the front of the XL Sniffer Adapter.
- 2 Fix the SL3000XL sniffer line in place so that no tensile forces are imposed on the connection.

5.9 Start-up

5.9.1 Switching on the LDS3000

Check before the start-up:

- ✓ The components of the XL sniffer adapter set have been installed.
- ✓ The hose connections are properly connected.
- ✓ The data connections and electrical connections are in place.
- ✓ The backing pump is ready for operation.
- ▶ Switching on the LDS3000.
 - ⇒ After the start-up, the green LED on the front cover of the XL Sniffer Adapter lights up.

5.9.2 Checking and updating the software version of the MSB box

The functions of the XL Sniffer Adapter Set are taken into consideration in the software version 2.11 or higher.

The current software is available from the INFICON support.

- ✓ The software is in the main directory of a USB stick.
 - 1 Connect the USB stick with the USB port of control unit CU1000.
 - 2 Select the main menu: "Functions > Data > Update > MSB"
 - ⇒ The display shows information on the current and the new software version as well as on the boot loader.
 - 3 Check the version information.
 - 4 Press "Start" to begin the update and confirm the prompt with "OK".
 - 5 If the system issues warning 106, confirm this with "C".

5.9.3 Updating the software of control unit CU1000

The software is included in two files named Handset_IFC_Vx.xx.xx.exe and Handset_IFC_Vx.xx.xx.key.

- ✓ The new files are in the main directory on a USB stick.
 - 1 Connect the USB stick with the USB port of the control unit.
 - 2 Select the main menu: "Functions > Data > Update > Control unit"
 - ⇒ The display shows information on the current and the new software version.
 - 3 Check the version information.

- 4 Press "Start" to begin the update and confirm the prompt with "OK".

5.9.4 Maintenance interval of the backing pump activation

Activate the maintenance interval for the commissioning.

✓ Access = Integrator

- 1 Select the main menu: "Authorizations > Integrator > Maintenance > Type of maintenance"
- 2 Select "Membrane"
- 3 "Maintenance work > Completed" confirm with "OK"

⇒ The maintenance interval is activated.

5.9.5 Maintenance message activation

To optionally receive a maintenance message when the maintenance interval has been reached, the must be activated.

✓ Access = Integrator

- 1 Select the main menu: "Authorizations > Integrator > Maintenance > Maintenance message"
- 2 Select "TMP + Membrane" and confirm with "OK"

⇒ The maintenance message is activated.

6 Operation

The operating setting for the XL Sniffer Adapter are based on the settings for the sniffer line without adapter. The special features and the settings for the XL Sniffer Adapter are therefore described in the operating instructions for the LDS3000 (document j1qa54).

Information on the interface commands is included in the document "Interface protocols" (document j1ra54).

6.1 Menu

A full display of the menu of control unit CU1000 is included as a file on the supplied USB stick.

6.2 Measuring

The use of forming gas can require special measures to prevent an unstable and raised background. The background influences the sniffing application, especially if forming gas is used. Forming gas has a certain percentage of hydrogen. When choosing the testing environment, ensure that there are natural hydrogen sources, e.g. through breathing air, forklift and the like that could influence the background of the measurement.

If helium is measured, the helium concentration in the measuring environment must be kept as low as possible.

The display on the handle shows if and how much gas is measured, see Operating elements on the handle [► 16].

Leaking gas can be indicated with flashing LEDs, an acoustic signal and vibration, see "Settings for the XL Sniffer Adapter" in the operating instructions for the LDS3000.



⚠ WARNING

Danger to life and limb through electric shock

Do not touch live parts with the sniffer probe.

- Always disconnect electrically operated test objects from the mains supply before starting the leak testing.

Move along the test object with a speed of 13 cm/s (5 inch/s) at most.

- 1 Set the background display to ZERO with the left button on the handle (ZERO adjustment).
- 2 Hold the sniffer probe to the expected leak or let it sample automatically.

- 3** Wait with the next measurement until the background display is stable and set the background display to ZERO again.

7 Maintenance

7.1 Indication of the next maintenance interval and

You can read-out when the next maintenance interval is and the total operating time of the individual components.

▶ Select the main menu: "Info > History > Maintenance"

⇒ The next maintenance interval and the total operating time of the individual components is displayed.

7.2 Maintenance warning

The maintenance message is activated, Maintenance message activation [▶ 26].

Once a maintenance interval has been reached, a maintenance message is displayed.

7.3 Replacing the filter cartridge on the sniffer probe

The replacement interval depends on the ambient conditions. The filter cartridge must generally be replaced every 500 to 1500 operating hours.

The filter cartridge is in the sniffer probe.

- 1 Remove the sniffer probe: Release the cap nut of the sniffer probe manually or with a screw driver (SW21).
- 2 Remove the old filter cartridge and insert a new filter cartridge.



Fig. 12: Release the cap nut of the sniffer probe



Fig. 13: Filter cartridge

- 3 Put the sniffer probe on the handle and tighten the cap nut manually only.
- 4 Check for tightness:

If air cannot be sucked in, the LDS3000 issues warning W41. If the end the sniffer probe is closed and the warning was not issued, then the screw connection on the sniffer probe is leaking or the filter cartridge is not positioned correct.

- 1 Unscrew the plastic cap on the end of the filter tip.
- 2 Close the end of the sniffer probe with the thumb. If there is no warning, tighten the cap nut and – if that is not successful – check the seat of the filter.
- 3 Tighten the plastic cap on the end the sniffer probe again.
- 4 Calibrating the LDS3000

7.4 Replacing the filter on the FINE throttle flange

The replacement interval depends on the ambient conditions. The filter must generally be replaced every 500 to 1500 operating hours.

7.5 Calibrating

Calibration is necessary after the following events:

- Sniffer line replacement
- Gas type switch
- Filter replacement
- Prompt for calibration by the system

The device should additionally be calibrated daily. Calibration sequence: See operating instructions of the LDS3000.

8 Decommissioning the measuring instrument

8.1 Disposing of the device

The device can either be disposed of by the operator or be sent to the manufacturer. The device consists of materials that can be recycled. This option should be exercised to prevent waste and also to protect the environment.

During disposal, observe the environmental and safety regulations of your country.

8.2 Sending in the device



WARNING

Danger due to harmful substances

Contaminated devices could endanger the health. The contamination declaration serves to protect all persons who come into contact with the device.

► Fill in the declaration of contamination completely.

- 1** Please do not hesitate to contact us and send a completed declaration of contamination before sending anything to us.
⇒ You will then receive a return number from us.
- 2** Use the original packaging when returning.
- 3** Before sending the device, attach a copy of the completed contamination declaration. See below.

Declaration of Contamination

The service, repair, and/or disposal of vacuum equipment and components will only be carried out if a correctly completed declaration has been submitted. Non-completion will result in delay.
 This declaration may only be completed (in block letters) and signed by authorized and qualified staff.

1 Description of product
 Type _____
 Article Number _____
 Serial Number _____

2 Reason for return

3 Operating fluid(s) used (Must be drained before shipping.)

4 Process related contamination of product:

toxic	no <input type="checkbox"/> 1)	yes <input type="checkbox"/>	 2) Products thus contaminated will not be accepted without written evidence of decontamination!
caustic	no <input type="checkbox"/> 1)	yes <input type="checkbox"/>	
biological hazard	no <input type="checkbox"/>	yes <input type="checkbox"/> 2)	
explosive	no <input type="checkbox"/>	yes <input type="checkbox"/> 2)	
radioactive	no <input type="checkbox"/>	yes <input type="checkbox"/> 2)	
other harmful substances	no <input type="checkbox"/> 1)	yes <input type="checkbox"/>	

The product is free of any substances which are damaging to health
 yes

1) or not containing any amount of hazardous residues that exceed the permissible exposure limits

5 Harmful substances, gases and/or by-products
 Please list all substances, gases, and by-products which the product may have come into contact with:

Trade/product name	Chemical name (or symbol)	Precautions associated with substance	Action if human contact

6 Legally binding declaration:
 I/we hereby declare that the information on this form is complete and accurate and that I/we will assume any further costs that may arise. The contaminated product will be dispatched in accordance with the applicable regulations.

Organization/company _____

Address _____ Post code, place _____

Phone _____ Fax _____

Email _____

Name _____

Date and legally binding signature _____ Company stamp _____

Copies:
 Original for addressee - 1 copy for accompanying documents - 1 copy for file of sender

9 Appendix

9.1 CE Declaration of Conformity



EU Declaration of Conformity

We – INFICON GmbH - herewith declare that the products defined below meet the basic requirements regarding safety and health and relevant provisions of the relevant EU Directives by design, type and the versions which are brought into circulation by us. This declaration of conformity is issued under the sole responsibility of INFICON GmbH.

In case of any products changes made without our approval, this declaration will be void.

Designation of the product:

XL Sniffer Adapter Set

Models:

Catalogue numbers:

560-319

Cologne, July 20th, 2017

Dr. Döbler, President LDT

The products meet the requirements of the following Directives:

- **Directive 2014/30/EU (Electromagnetic Compatibility)**
- **Directive 2011/65/EU (RoHS)**

Applied harmonized standards:

- **DIN EN 61326-1:2013**
Class A according to EN 55011
- **DIN EN 50581:2013**
- **DIN EN ISO 12100:2010**

Cologne, July 20th, 2017

Bausch, Research and Development

INFICON GmbH
Bonner Strasse 498
D-50968 Cologne
Tel.: +49 (0)221 56788-0
Fax: +49 (0)221 56788-90
www.inficon.com
E-mail: leakdetection@inficon.com

9.2 RoHS

Restriction of Hazardous Substances (China RoHS)

有害物质限制条例（中国 RoHS）

		XLSniffer Adapter: Hazardous Substance XLSniffer Adapter: 有害物质				
Part Name 部件名称	Lead (Pb) 铅	Mercury (Hg) 汞	Cadmium (Cd) 镉	Hexavalent Chromium (Cr(VI)) 六价铬	Polybrominated biphenyls (PBB) 多溴联苯	Polybrominated diphenyl ethers (PBDE) 多溴联苯醚
Orifices 截流口	X	O	O	O	O	O
Valve 阀门	X	O	O	O	O	O
PCB Board PCB板	X	O	O	O	O	O
USB stick U 盘	X	O	O	O	O	O
CPU Board 主板	X	O	O	O	O	O

This table is prepared in accordance with the provisions of SJ/T 11364.
本表是根据 SJ/T 11364 的规定编制的。

O: Indicates that said hazardous substance contained in all of the homogeneous materials for this part is below the limit requirement of GB/T 26572.
O: 表示该部件所有均质材料中所含的上述有害物质都在 GB/T 26572 的限制要求范围内。

X: Indicates that said hazardous substance contained in at least one of the homogeneous materials used for this part is above the limit requirement of GB/T 26572.
X: 表示该部件所使用的均质材料中，至少有一种材料所含的上述有害物质超出了 GB/T 26572 的限制要求。

(Enterprises may further provide in this box technical explanation for marking “X” based on their actual circumstances.)
(企业可以根据实际情况，针对含“X”标识的部件，在此栏中提供更多技术说明。)

